

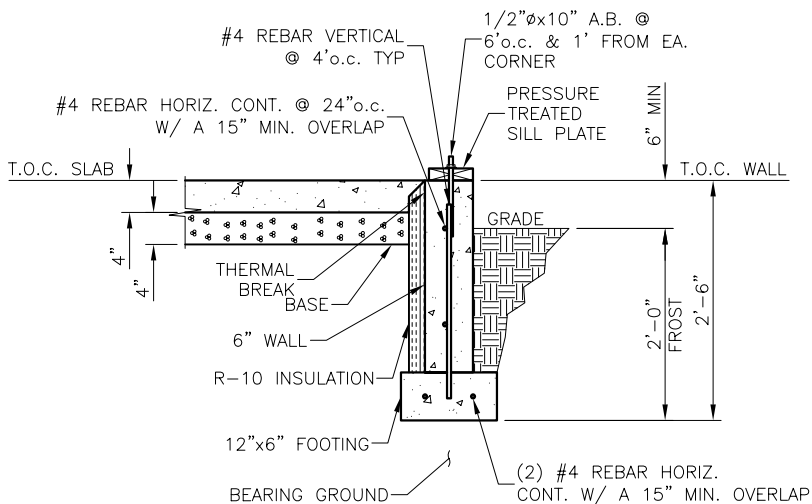
# FOUNDATION DETAILS



CITY OF COEUR D'ALENE

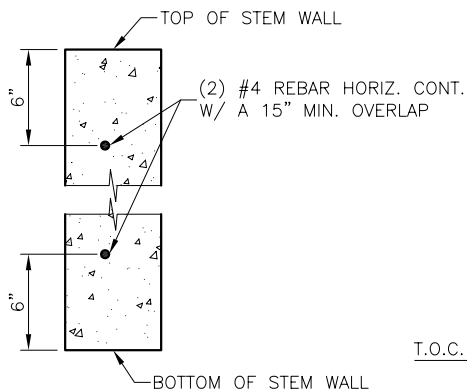
BUILDING DEPARTMENT

710 EAST MULLAN AVENUE  
 COEUR D'ALENE, IDAHO 83814 -3964  
 208-769-2267 - 208-769-2237 FAX



TYPICAL STEM WALL

SLAB ON GRADE

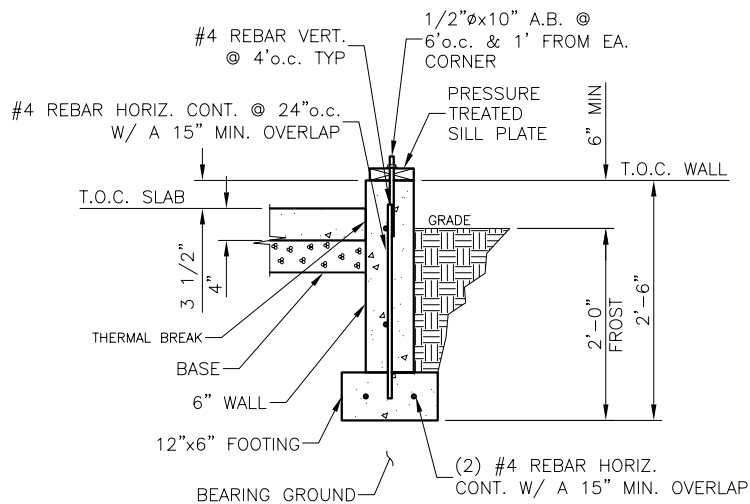


TYPICAL STEM WALL  
 HORIZONTAL REBAR LOCATION

SCALE: 1"=1'

**NOTE:**

- ALL FOOTINGS MUST BEAR ON UNDISTURBED OR COMPACTED SOIL.
- FOUNDATION SILL PLATES SHALL BE A MINIMUM OF 2 BOLTS PER PIECE W/ 1 BOLT LOCATED WITHIN 12" OF EACH END OF EACH SILL PLATE.
- A PROPERLY SIZED NUT & GALVANIZED WASHER SHALL BE TIGHTENED ON EACH BOLT TO THE SILL PLATE.
- FOUNDATION SILL PLATES SHALL BE PRESSURE TREATED WOOD.
- IF APPLICABLE USE THE APPROVED SIMPSON STRONG-TIE HOLD DOWN

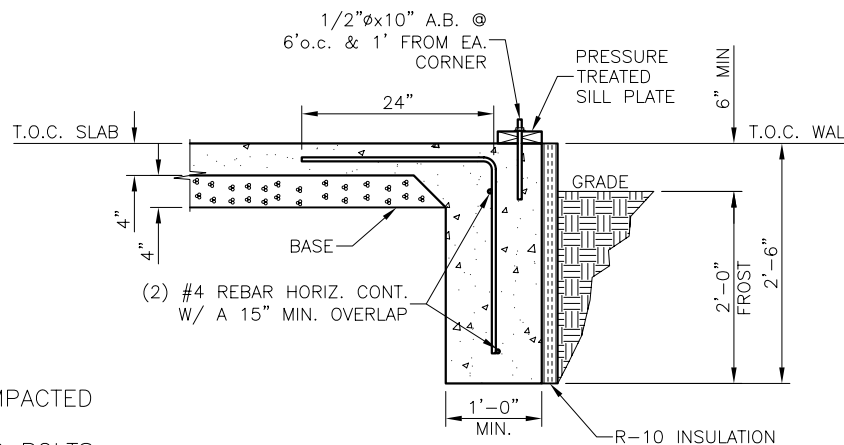


TYPICAL STEM WALL

GARAGE SLAB

**NOTE:**

- WOOD SIDING, SHEATHING AND WALL FRAMING ON THE EXTERIOR OF A BUILDING HAVING A CLEARANCE OF LESS THAN 6 INCHES (152 mm) FROM GROUND



TYPICAL STEM WALL

MONOLITHIC SLAB

**NOTE:**

INSULATION REQUIRED WHEN PART OF THE ENERGY ENVELOPE